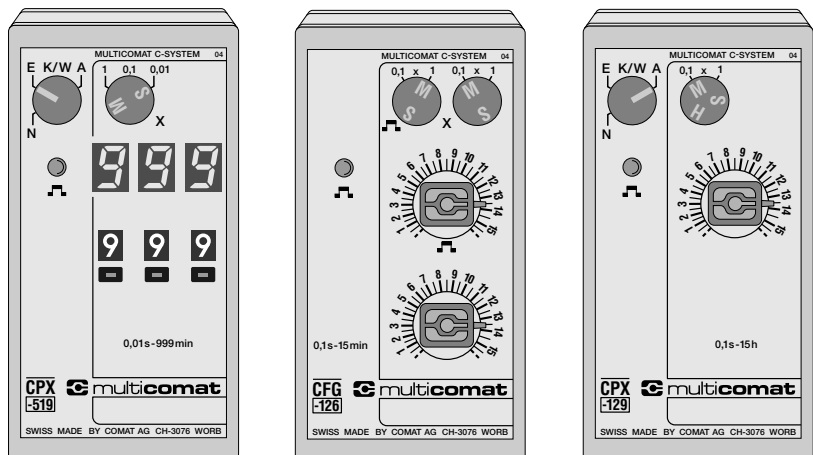


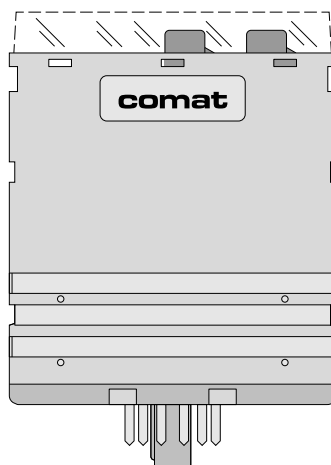
Plug-in time delay relays

C



Main characteristics

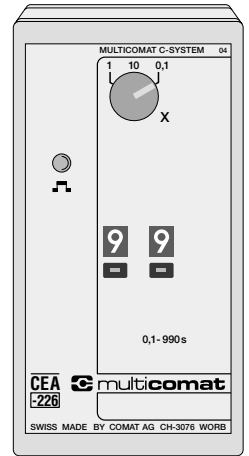
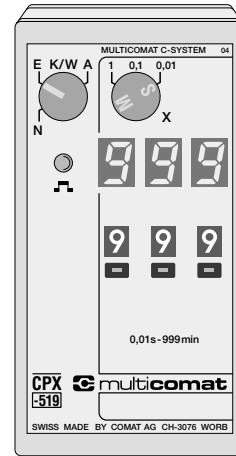
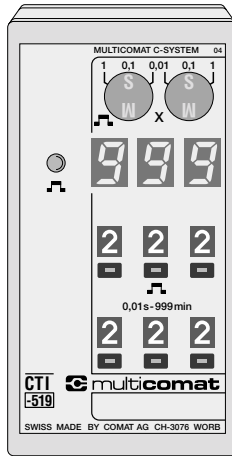
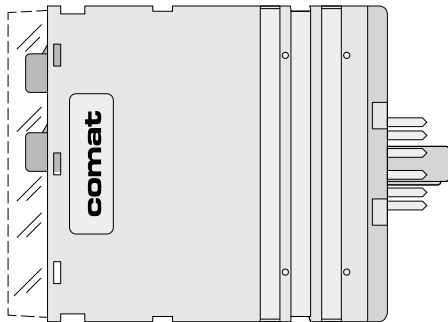
- Plug-in industrial time delay relay with 2 delay changeover contacts.
- 11 pin submagnal plug as specification IEC 67-1-18a.
- Suitable for front panel mounting with accessory FZ-23.
- With transparent front cover FS-23.
- Programmable timing modes and time ranges.
- Digital indication of the residual time sequence.
- Digital time setting by decade switches or analog setting by potentiometer.
- Quartz time basis or RC oscillator with frequency divider.
- LED display of the relay function.
- Drive by two-wire proximity switch NAMUR or by potential free control contact.
- Pin-compatible for one or several timing modes.
- Conform with CE; IEC255.



Kühn Controls AG
 Vertriebsbüro Deutschland
 Gräfenhäuser Str. 14
 D-75305 Neuenbürg
 Tel.: +49- (0)7082-940000
 Fax: +49- (0)7082-940001
 eMail: sales@kuehn-controls.de
 www.multicomat.net



This issue replaces all previous issues.
Availability, errors and specifications subject to change without notice.



CTI-519

CPX-519

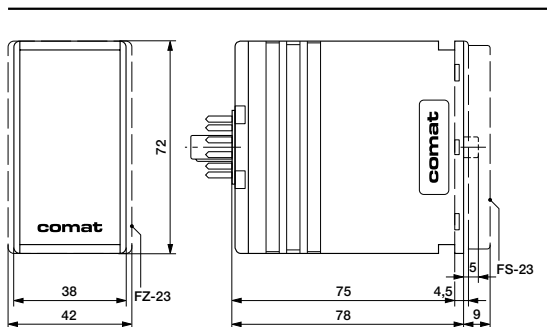
CEA-226

Specification

Functions	
	Connection diagram no.
	Method of programming
Time ranges	
	Partial ranges
	1
	2
	3
	4
	5
	6
Voltages	
AC 50/60 Hz	-15/+10%
AC 50/60 Hz	-15/+10%
AC 40/60 Hz or DC	-20/+25%
AC 40/60 Hz or DC	-20/+25%
DC	-15/+10%

Output circuit	$\gamma^{1)}$
Switching current max.	6A
Switching voltage max.	250V~
Switching capacity	AC: 1200VA; DC: ...250W
Mechanical life	30 million operations
Contact material	Ag Ni 90/10

¹⁾ Values for resistiv load or for inductive loading with spark suppression. Other contact material on request.



Front mounting accessory FZ-23 (□ 38,5 x 70^{+0,5} mm, max. 3mm thick).
Transparent front cover FS-23 (part of the scope of delivery).

Repeat cycle timer

Pulse: interval
= 1:5,994 millions

I	22/23
2x0,01s-999min	2x6
	0,01 - 9,99s
	0,1 - 99,9s
	1 - 999s
	0,01 - 9,99min
	0,1 - 99,9min
	1 - 999min
ANX:	AC 110-240V~
UFK:	UC 24-48V~
UCB:	UC 12V~
DNX:	DC 110-240V=

General³⁾

Repeat accuracy	
Voltage stability	
Temperature stability	
Time range tolerance max.	
Setting accuracy	
Reset time during t	
Reset time after time expiry	
Triggering time	
Triggering delay time	
Load of S (6 - 7)	
Control line	
Ambient temperature range	
Storage temperature range	
Climate	
Transient voltage protection	
Testing voltage	
Standards	
Protection/case material	
Weight incl. packing	

[] = with voltage control operation
³⁾ Data at Tamb = 25°C and U_{nom}

Time delay relay

2 delay functions
3 single shot timing modes

E A K W N	22/23 23 23 22 23
Switch	
0,01s-999min	6
	0,01 - 9,99s
	0,1 - 99,9s
	1 - 999s
	0,01 - 9,99min
	0,1 - 99,9min
	1 - 999min
ANX:	AC 110-240V~
UFK:	UC 24-48V~
UCB:	UC 12V~
DNX:	DC 110-240V=

Type C..-519 - 226

±2 [10] ms ¹⁾
±2 ms ²⁾
±0,03 % ²⁾
±0,05 %
±0,05 %
50 [100] ms
50 ms
≥ 15 ms
10... 15 ms
12V= / 2,5 mA
max. 50Ω
-25...+60°C
-25...+85°C
relative humidity 10-95%
CE, IEC 255.4, annex E, Kl. III
2 kV, 50 Hz, 1 min
VDE 0435/0110 Gr. C, CE
IP40/Noryl SE1 (UL 94V-1)
approx. 135g, with transf. 230g

¹⁾ referred to the set time
²⁾ max. tolerance total

Time delay relay

on delay or
off delay

E A	22/23 24
Connection	5-6-7
0,1s-990s	3
	0,1 - 9,9s
	1 - 99s
	10 - 990s
ATX:	AC 220-240V~
ANP:	AC 110-120V~
UFK:	UC 24-48V~
UCB:	UC 12V~
DNX:	DC 110-240V=


Type C..-129 - 102

±0,5% [15 ms] ¹⁾
±1 % ²⁾
±0,1 %/°C
-0+0,5 %
-0/+5 %
50 [100] ms
50 ms
≥ 15 ms
10... 15 ms
12V= / 2,5 mA
max. 50Ω
-25...+60°C
-25...+85°C
relative humidity 10-95%
CE, IEC 255.4, annex E, Kl. III
2 kV, 50 Hz, 1 min
VDE 0435/0110 Gr. C, CE
IP40/Noryl SE1 (UL 94V-1)
approx. 120g, with transf. 215g

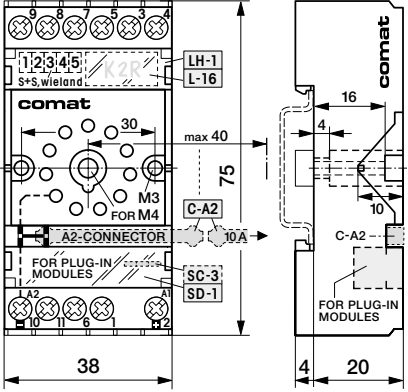
¹⁾ referred to the set time
²⁾ max. tolerance total

Case S3

This issue replaces all previous issues.
Availability, errors and specifications subject to change without notice.

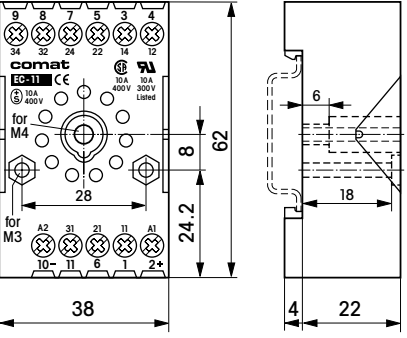
SWISS MADE BY COMAT AG 

C11A Relay socket with screw, connections for panel or DIN mounting-snap fit



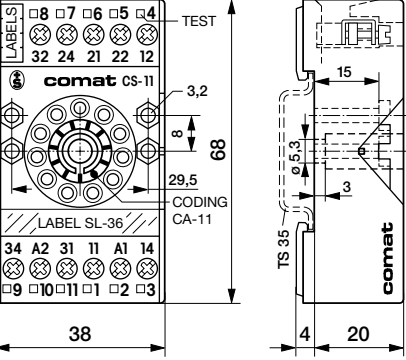
Labels: LH-1, L-16, C-A2, SC-3, SD-1. Dimensions: 38, 75, max 40, 16, 4, 10, 20, 4. Features: FOR M3, FOR M4, FOR PLUG-IN MODULES, 10A.

EC-11 Relay socket with screw, connections for panel or DIN mounting-snap fit



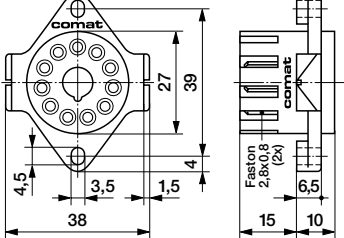
Labels: comat, 10A 400V 300V Rated. Dimensions: 38, 62, 8, 24.2, 28, 6, 18, 4, 22.

CS-11 Relay socket with screw, connections for panel or DIN mounting-snap fit



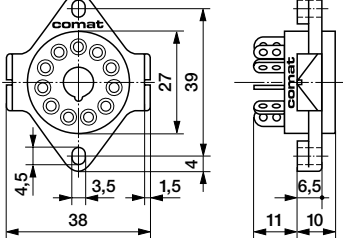
Labels: TEST, CODING CA-11, LABEL SL-36. Dimensions: 38, 68, 3.2, 8, 29.5, 15, 3, 4, 20.

11 PGF Relay socket for fasten connectors (2xAMP 2,8x0,8 DIN 46247)



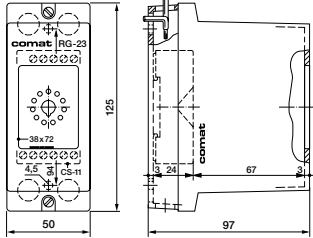
Labels: comat, Faston 2,8x0,8 (2x). Dimensions: 38, 27, 39, 4, 4.5, 3.5, 1.5, 15, 10, 6.5.

11 PGL Relay socket for chassis mounting (solder tags: 3,8x0,8 mm)



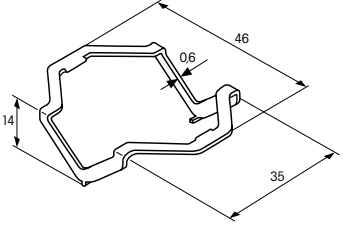
Labels: comat. Dimensions: 38, 27, 39, 4, 4.5, 3.5, 1.5, 11, 10, 6.5.

RG-23 Surface mounting case with built-in relay socket (protected connection terminals)



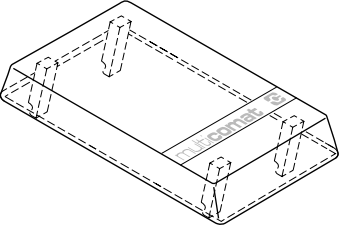
Labels: comat, RG-23. Dimensions: 50, 125, 24, 67, 97.

HF-24 Retaining clip made of special spring steel suitable for all relay sockets



Dimensions: 46, 35, 14, 0.6.

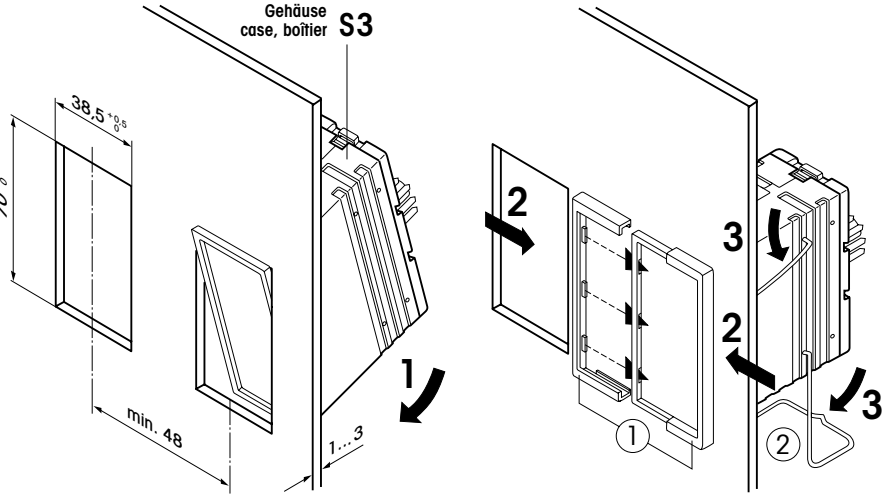
FS-23 Transparent cover (always included with the relay)



Empty space for additional information or diagrams.

Empty space for additional information or diagrams.

FZ-23 Front of panel mounting accessory comprising 2 front frame parts ① and 2 retaining clips ②



Labels: Gehäuse case, boîtier S3. Dimensions: 38,5, 70, min. 48, 1...3. Assembly steps: 1, 2, 3.