

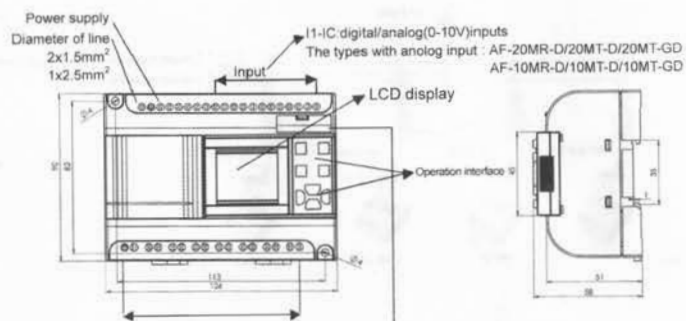
Installation & Connection

AF Series

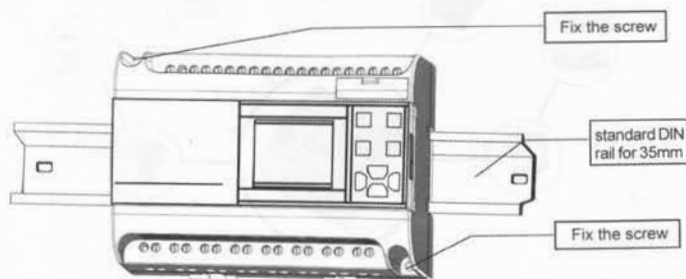
Ver 1.0

(※Take 20 points as an example)

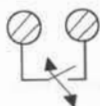
(Types) AF-10MR-A/10MR-D/10MR-E/10MT-D/10MT-E/10MT-GD
AF-20MR-A/20MR-D/20MR-E/20MT-D/20MT-E/20MT-GD



AF-COPY/AF-C232/AF-C485
AF-D232/AF-D485/AF-DUSB

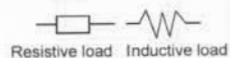


Relay output for AF series



When the Max.current is 10A,
The operations of the relay are up to 100,000 times.

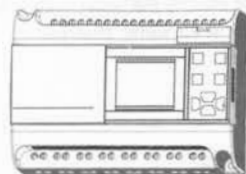
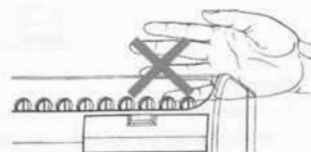
AF-20MR-A/AF-10MR-A
AF-20MR-D/AF-10MR-D
AF-20MR-E/AF-20MR-E



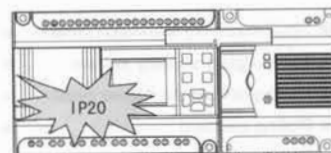
| | |
|-----|----|
| 10A | 2A |
| 10A | 2A |
| 10A | 2A |



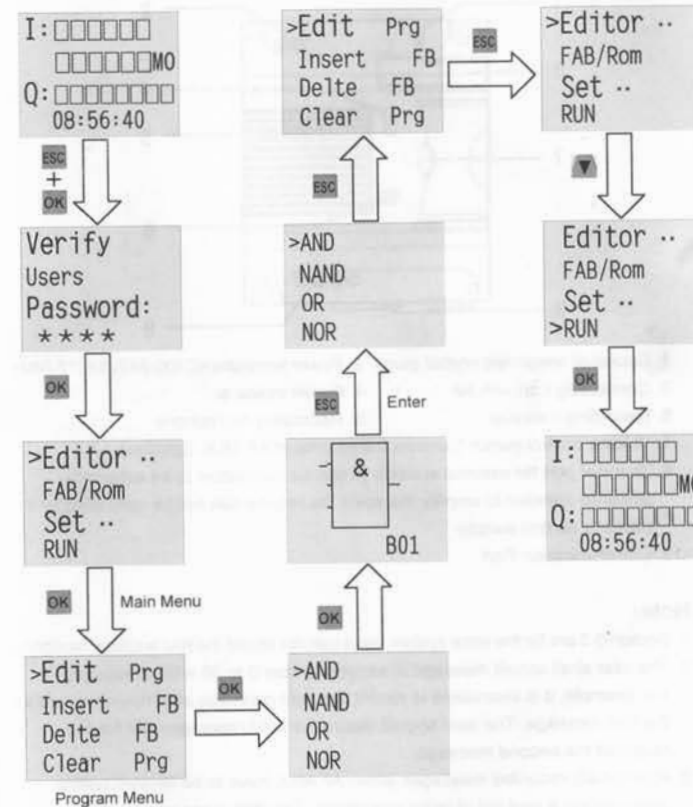
Danger! Hazardous voltage can cause electrical shock and fire. Please disconnect main power before operating equipment. You will find further information in the FAB manual.



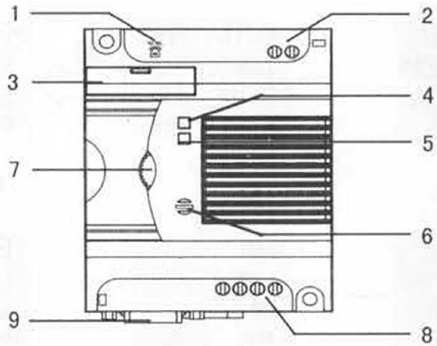
When 25 , the real-time clock keeps running up to 100 hours.



Operation panel



The Voice Module

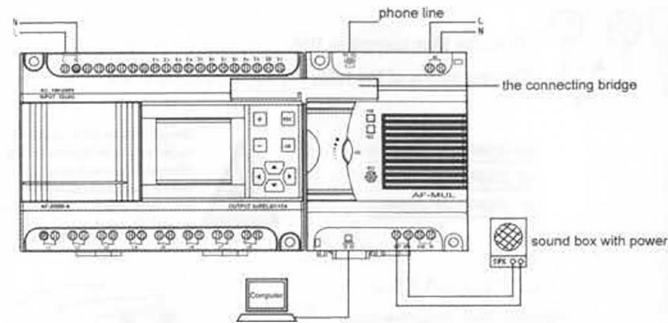


1. Socket of telephone crystal plug
2. Power terminals(AC100-240V/DC12-24V)
3. Connecting port with AF
4. Power indicator
5. Recording indicator
6. Recording microphone
7. Volume control switch (controls the volume of AF-MUL Speaker)
8. Terminal port for external speaker (it can be connected to an externally powered-speaker to amplify the voice. Its volume can not be controlled by 7 (Volume control switch))
9. Communication Port

Note:

1. Section 0-3 are for the voice system, users can not record the four sections randomly.
2. The user shall record message in sequence from 0 to 98 without skipping. For example, it is impossible to record the third message after having recorded the first message. The user should record the third message after having recorded the second message.
3. All originally recorded messages within AF-MUL have to be deleted before commencing a new set of voice recordings. The 99th message does not indicate recording, but wiping away all of the recorded messages.

Connection between the voice module and AF



Note:

1. Please connect the Voice Module to AF with connecting bridge before you write or program. And you can edit program etc. through the communication between PC and the communication port of Voice Module.
2. After connecting AF to Voice Module, please electrify the Voice Module first, and then electrify AF, or electrify both of them at the same, otherwise, AF will not work normally.

Application Scope

- ★ Small machinery automation system
- ★ Anti-burglary security system
- ★ Heating and air-conditioner system
- ★ Rolling billboard
- ★ Fountain control system
- ★ Agriculture irrigation & Lighting control
- ★ Sewage disposal automation
- ★ Home intelligent control system
- ★ Factory school bell automation control
-

Connecting AF network

Short network Wiring (Within 1.2KM)

